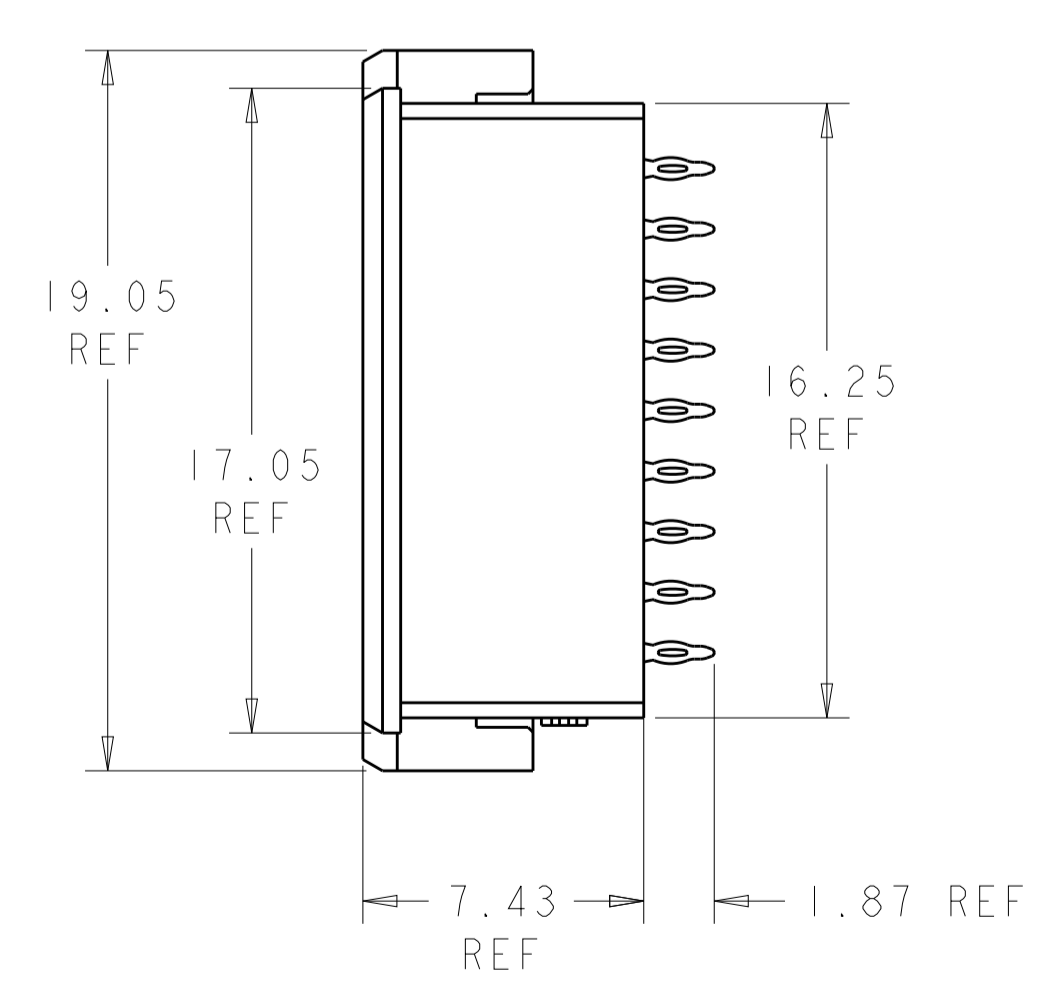
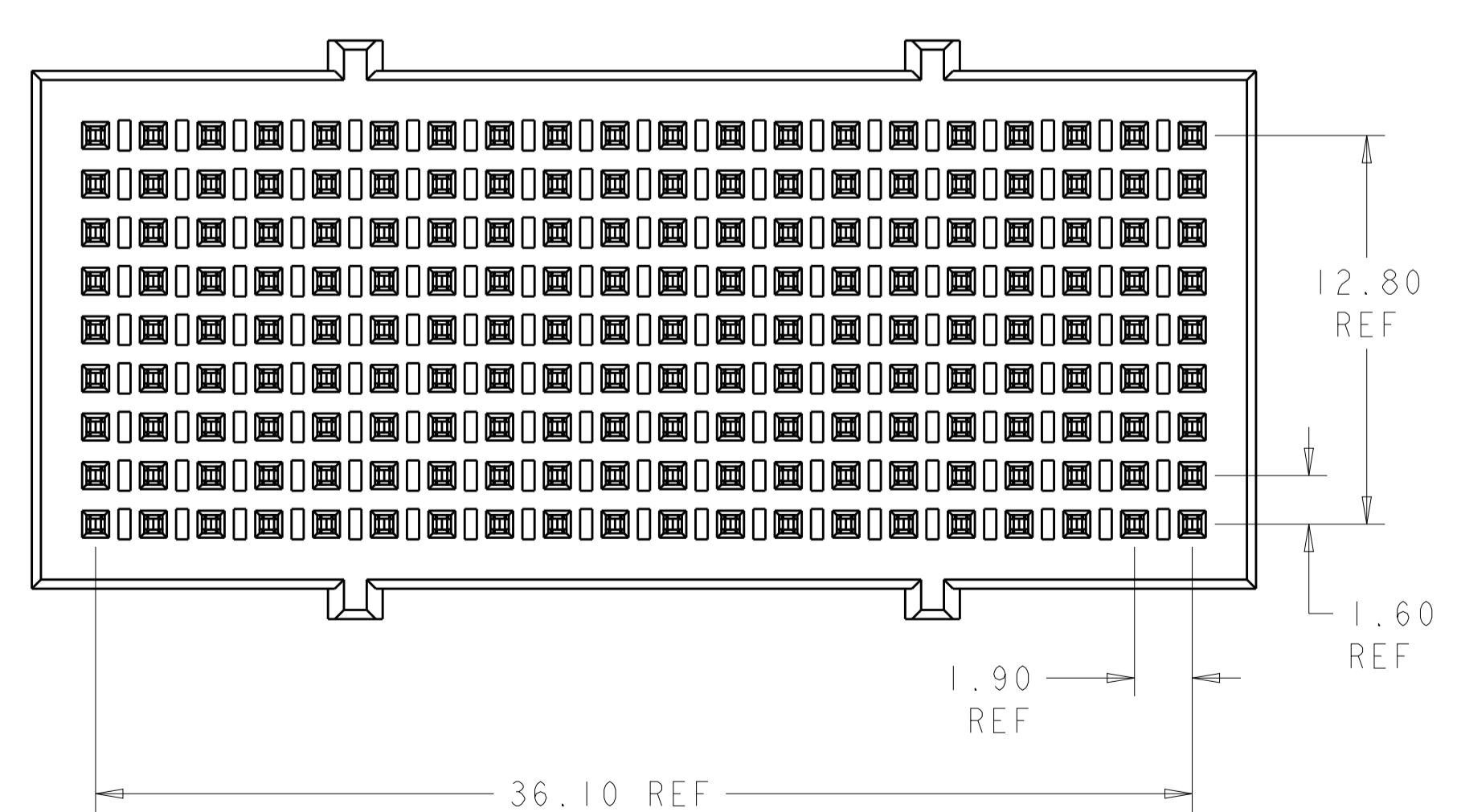
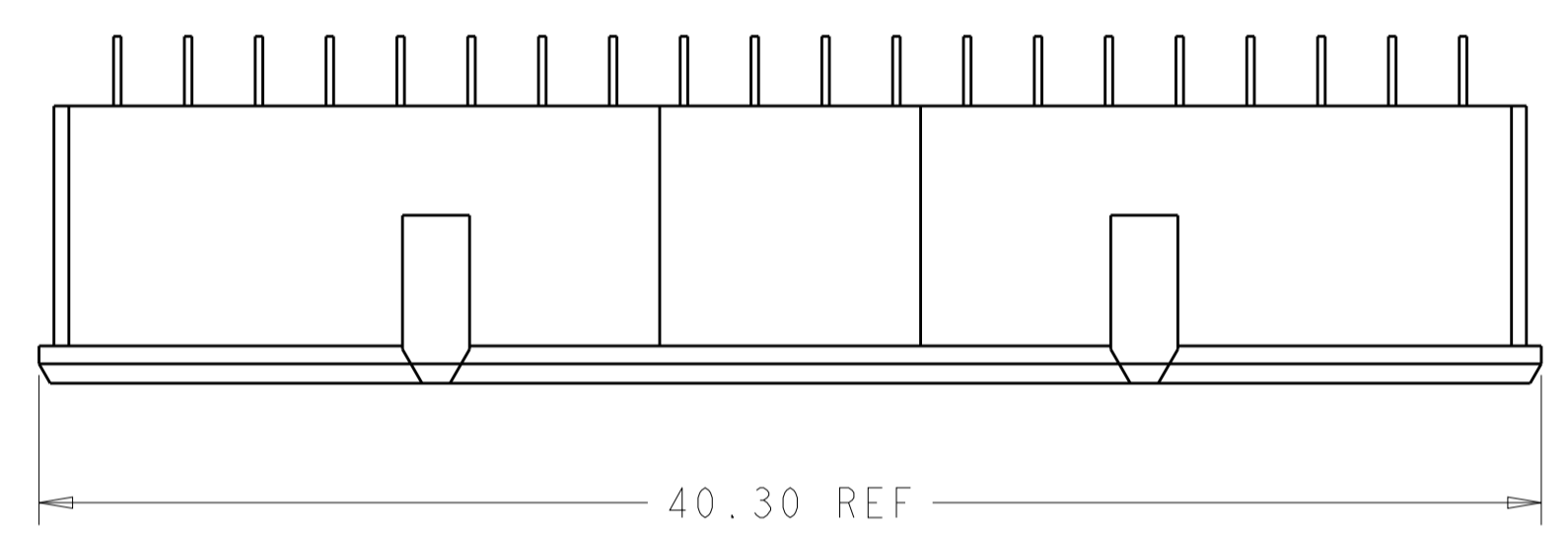
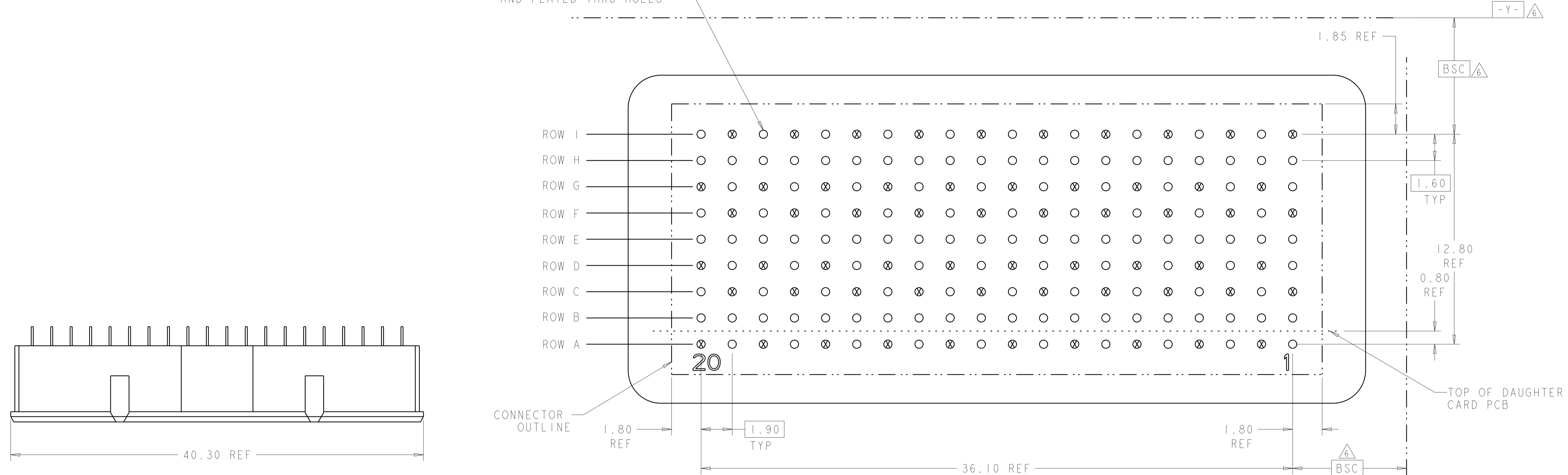


LOC	DIST	REV	DATE	BY	CHK	APPV
-	-	C	1-31-13	CT	DH	
-	-	D	26MAR2013	KG	DH	
-	-	E	25NOV2014	MGM	CT	

⊕ ∅0.05 ⊖ X Y
FINISHED HOLE SIZE AND PLATED THRU HOLES



RECOMMENDED DIFFERENTIAL PAIR PC BOARD LAYOUT
COMPONENT SIDE SHOWN
SCALE 8:1

- = SIGNAL
- ⊗ = GROUND

- 1 MATERIAL:
CONTACT - COPPER ALLOY
HOUSING - LCP, COLOR - BLACK
- 2 FINISH:
MATING AREA: 1.27μm MIN GOLD OVER
1.27μm MIN NICKEL
- 3 FINISH:
COMPLIANT PIN AREA: 0.38μm MIN BRIGHT TIN LEAD
OVER 1.27μm MIN NICKEL
- 4 FINISH:
COMPLIANT PIN AREA: 0.38μm MIN MATTE TIN
OVER 1.27μm MIN NICKEL
- 5 ---
- 6 DATUMS AND BASIC DIMENSIONS ESTABLISHED BY CUSTOMER.
- 7 REFERENCE APPLICATION SPEC 114-13267 FOR RECOMMENDED
PLATING THRU HOLE DIAMETER AND PLATING THICKNESS.

2, 4	2102161-2
2, 3	2102161-1
FINISH	PART NUMBER

THIS DRAWING IS A CONTROLLED DOCUMENT. DIMENSIONING AND TOLERANCING PER GPS-1150 STANDARDS.		OWN: D. BELACK 06JUL2009	TE Connectivity	
DIMENSIONS: mm		CHK: A. TSANG 7-6-2009	NAME: Fortis Zd, 3-PAIR, 20-COLUMN, VERTICAL, FULL SHROUD ASSEMBLY	
TOLERANCES UNLESS OTHERWISE SPECIFIED:		APPV: M. McALONIS 7-6-2009	PRODUCT SPEC: 108-2409	
0 PLC ±0.13		APPLICATION SPEC: 114-13267		
1 PLC ±0.05		SIZE: 114-13267		
2 PLC ±0.05		WEIGHT: 7.32g ±2%		
3 PLC ±0.05		CAGE CODE: A100779		
4 PLC ±0.05		DRAWING NO: 2102161		
ANGLES ±2°		SCALE: 5:1		
FINISH: -		SHEET 1 OF 1		
MATERIAL: -		REV E		